

ML8511-00FC

REFERENCE BOARD Manual for UV Sensor (QFN)

Issue date: August 27, 2013

NOTES

No copying or reproduction of this document, in part or in whole, is permitted without the consent of LAPIS Semiconductor Co., Ltd.

The content specified herein is subject to change for improvement without notice.

Examples of application circuits, circuit constants and any other information contained herein illustrate the standard usage and operations of the Products. The peripheral conditions must be taken into account when designing circuits for mass production.

Great care was taken in ensuring the accuracy of the information specified in this document. However, should you incur any damage arising from any inaccuracy or misprint of such information, LAPIS Semiconductor shall bear no responsibility for such damage.

The technical information specified herein is intended only to show the typical functions of and examples of application circuits for the Products. LAPIS Semiconductor does not grant you, explicitly or implicitly, any license to use or exercise intellectual property or other rights held by LAPIS Semiconductor and other parties. LAPIS Semiconductor shall bear no responsibility whatsoever for any dispute arising from the use of such technical information.

The Products specified in this document are intended to be used with general-use electronic equipment or devices (such as audio visual equipment, office-automation equipment, communication devices, electronic appliances and amusement devices).

The Products specified in this document are not designed to be radiation tolerant.

While LAPIS Semiconductor always makes efforts to enhance the quality and reliability of its Products, a Product may fail or malfunction for a variety of reasons.

Please be sure to implement in your equipment using the Products safety measures to guard against the possibility of physical injury, fire or any other damage caused in the event of the failure of any Product, such as derating, redundancy, fire control and fail-safe designs. LAPIS Semiconductor shall bear no responsibility whatsoever for your use of any Product outside of the prescribed scope or not in accordance with the instruction manual.

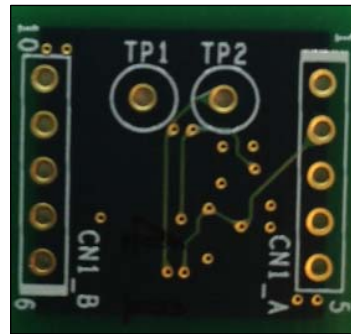
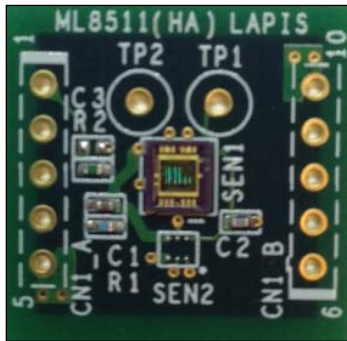
The Products are not designed or manufactured to be used with any equipment, device or system which requires an extremely high level of reliability the failure or malfunction of which may result in a direct threat to human life or create a risk of human injury (such as a medical instrument, transportation equipment, aerospace machinery, nuclear-reactor controller, fuel-controller or other safety device). LAPIS Semiconductor shall bear no responsibility in any way for use of any of the Products for the above special purposes. If a Product is intended to be used for any such special purpose, please contact a ROHM sales representative before purchasing.

If you intend to export or ship overseas any Product or technology specified herein that may be controlled under the Foreign Exchange and the Foreign Trade Law, you will be required to obtain a license or permit under the Law.

Copyright 2013 LAPIS Semiconductor Co., Ltd.

1. General Description

The ML8511-00FC is a reference board for the Lapis Semiconductor UV Sensor ML8511. Below shows the FRONT and BACK of the PCB with a mounted ML8511 in a QFN package.



2. Features

- UV Photodiode sensitive to UV-A and UV-B
- Embedded operational amplifier
- Analog voltage output
- Low supply current (300uA typ.) and low standby current (0.1uA typ.)
- Small SMT package (4.0mm x 3.7mm x 0.73mm, 12-pin ceramic QFN)
- Active high enable pin
- VDD input cap and reference voltage decoupling cap included on reference board

3. Applications

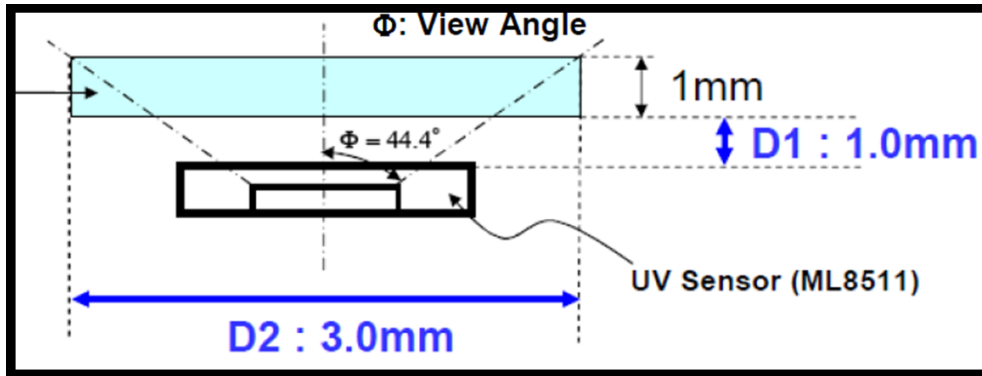
Smart Phone, Watch, Weather station, Bicycle Navigation, Gaming, Health, Fitness, Accessories

4. Recommended Operating Conditions

Parameter	Symbol	Minimum	Typical	Maximum	Unit
Operating Voltage	VDD	2.7	3.3	3.6	V
Operating Temperature	Ta	-20	25	70	°C
Storage Temperature	Tstg	-30	-	85	°C

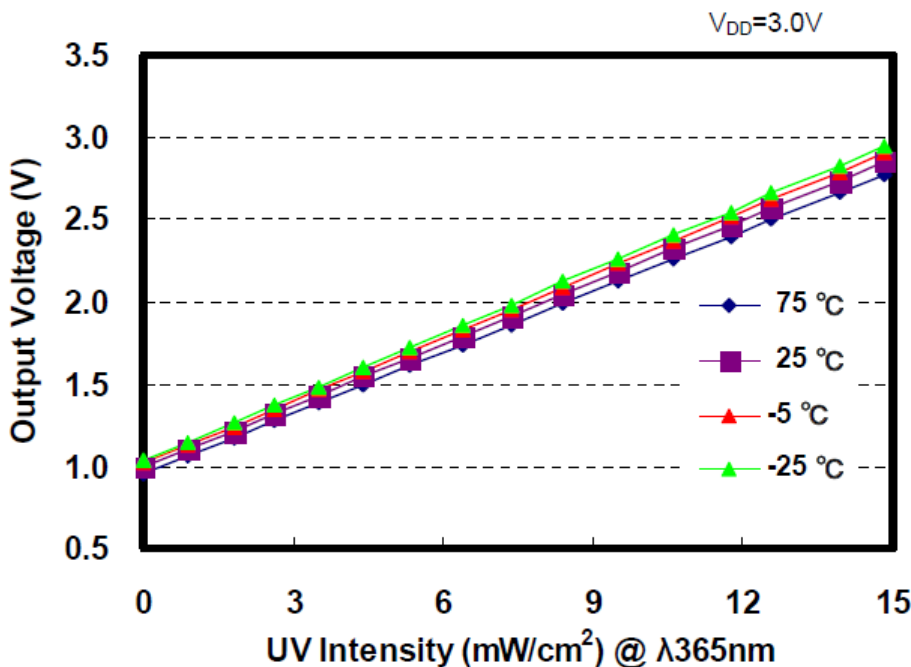
5. UV Sensor Optical Filter

An optical UV transmission filter is recommended with the usage of ML8511. The material recommended is ACRYLITE #000 (1.0mm thickness) with sandblast #220, if opaque filter is desired. The distance from ML8511 to filter is D1. D1 should be ~1.0mm. The aperture size of the filter is D2. D2 should be ~3.0mm.



6. Output Voltage – UV Characteristics

The below chart shows the linear relationship between the sensor's output voltage and UV intensity (mW/cm^2) when $V_{DD} = 3.0\text{V}$. The sensor output is stable across the operating temperature range.

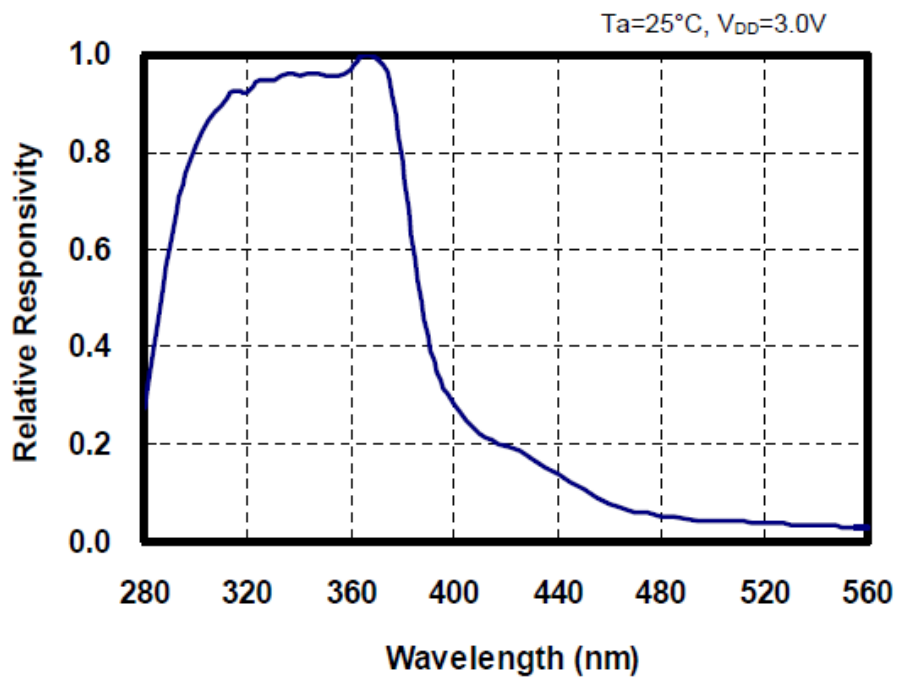


7. Spectral Response Characteristics

The ML8511 has the spectral response of measuring UVA and UVB wavelengths.

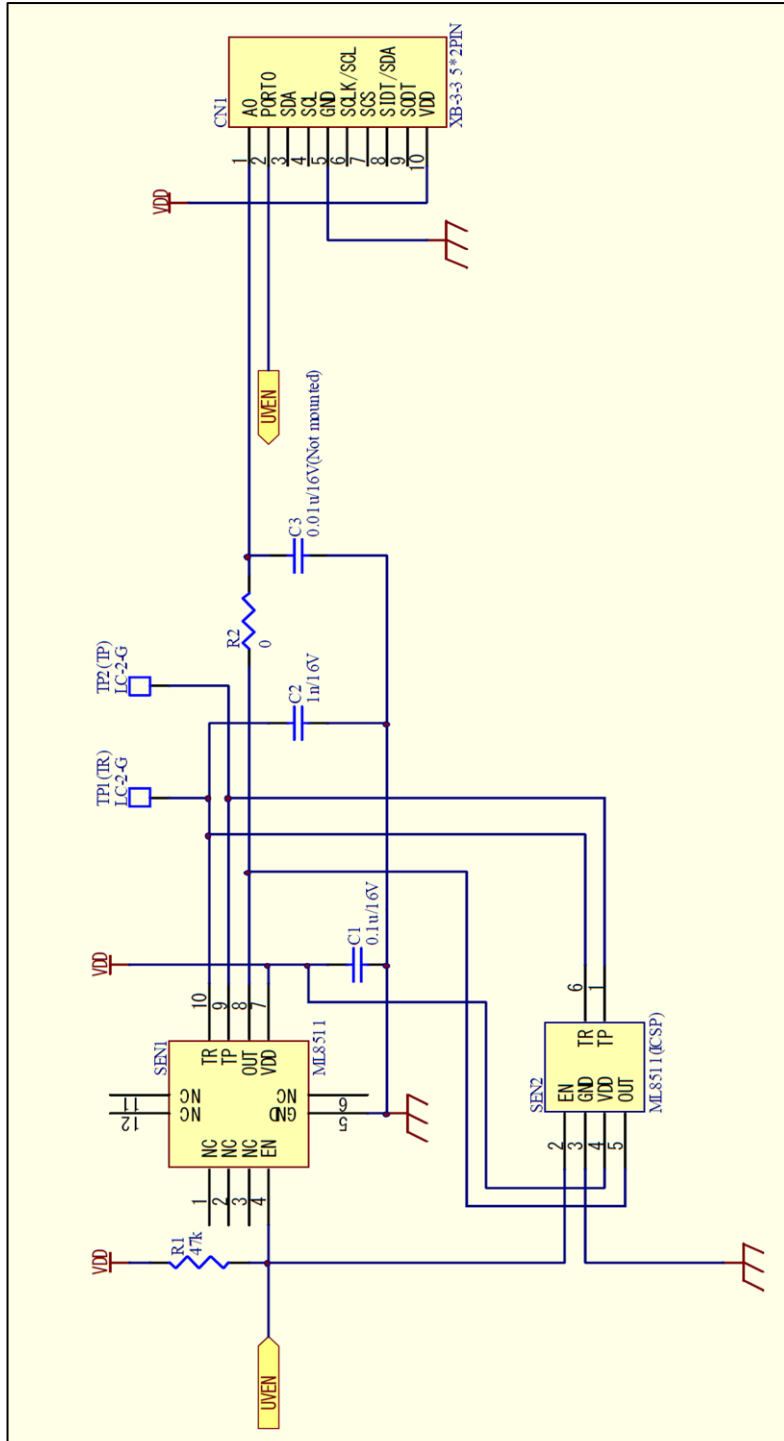
UV-A: 315-400nm

UV-B: 280-315nm

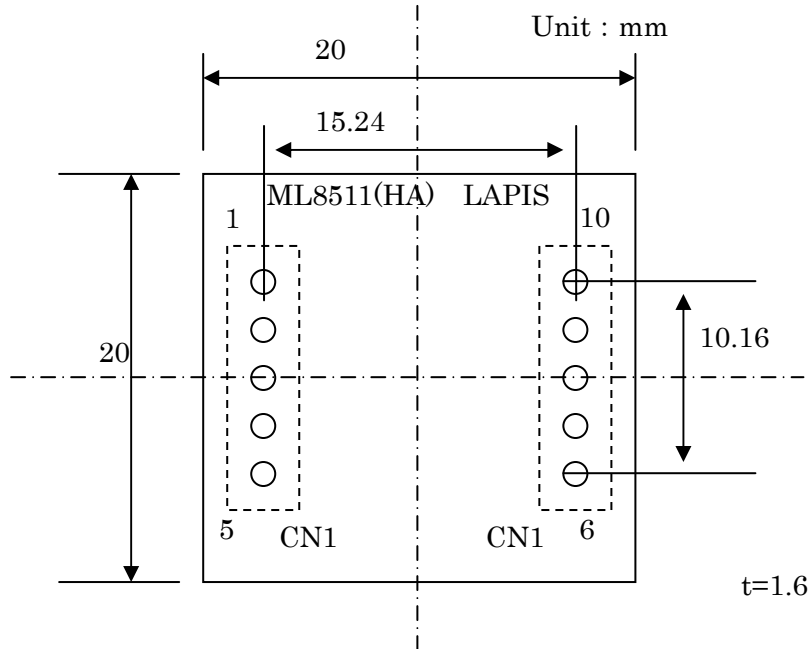


8. Reference Board Schematic

The schematic below shows the reference board inputs/outputs and pin connections.



9. Reference Board Dimensions



10. Table of Pin Descriptions

CN1 through-hole #	Through-hole Name	Function
1	UVOUT	Output
2	UVEN	Active high EN_pin (High: Active / Low: Standby)
3	-	-
4	-	-
5	GND	Ground
6	-	-
7	-	-
8	-	-
9	-	-
10	VDD	Input Voltage

*Please refer to the ML8511 datasheet for additional details on electrical specifications and recommendations.

Revision History

Document No.	Issue Date	Page		Description
		Previous Edition	New Edition	
FEBL8511_REFBOARD_Manual-01	2013.08.27	-	-	First Edition